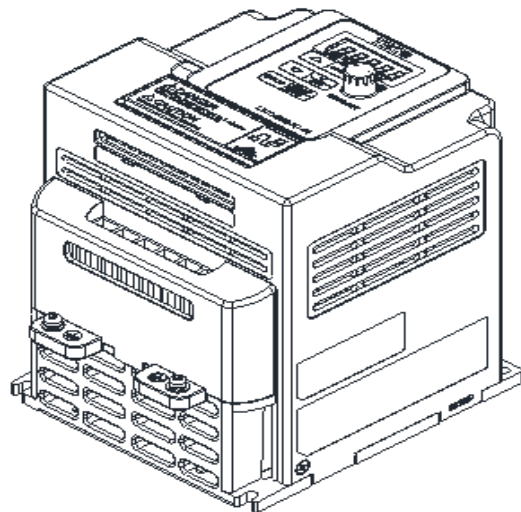
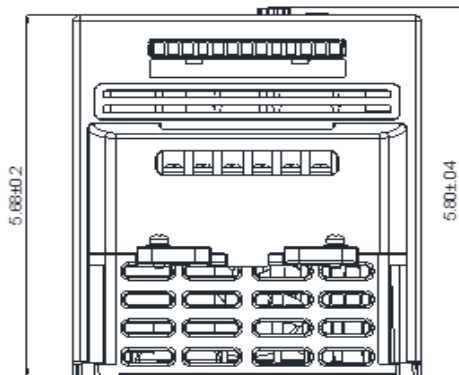
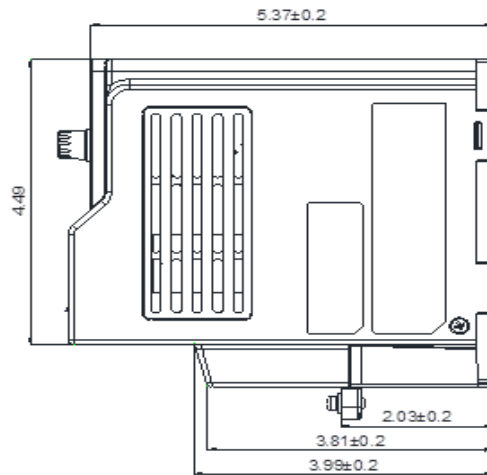
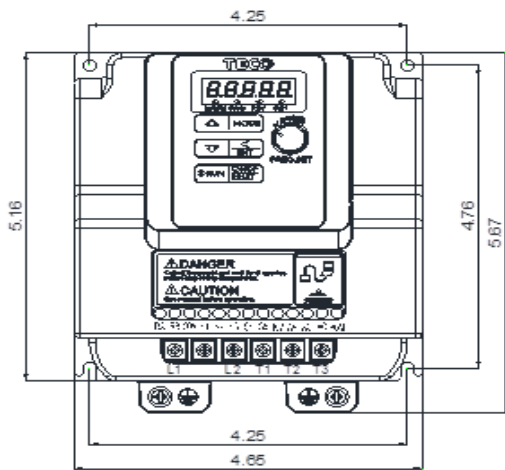


GENERAL DATASHEET VARIABLE SPEED DRIVE

Series L510		MODEL# L510-101-H1-U	
ISSUED 3/16/2017		ENCLOSURE/ FRAME Chassis (IP20/00)/ F2	
INPUT AMPS HD (CT) 19		AC INPUT VOLTAGE 115	AC INPUT FREQUENCY 50/60
AC INPUT PHASE 1		AC OUTPUT VOLTAGE 0-230	
AC OUTPUT FREQUENCY 0-599	AC OUTPUT PHASE 3	AC OUTPUT VOLTAGE 0-230	
AC OUTPUT FREQUENCY 0-599	AC OUTPUT PHASE 3	AC OUTPUT VOLTAGE 0-230	



Approved By:	Brian Smith	Drawing No:	L510-115-001-F2	Revision: 0
--------------	-------------	-------------	-----------------	-------------