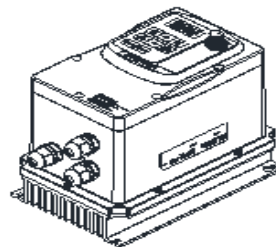
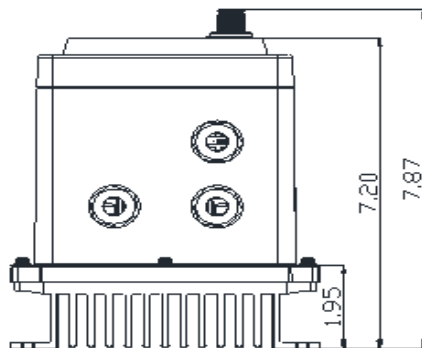
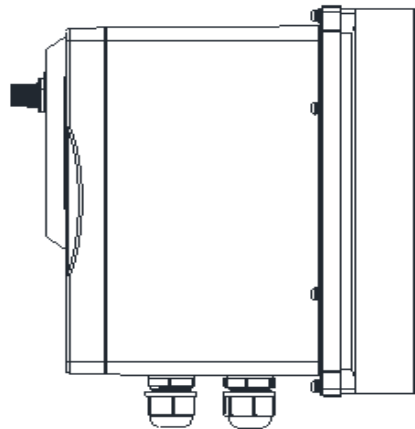
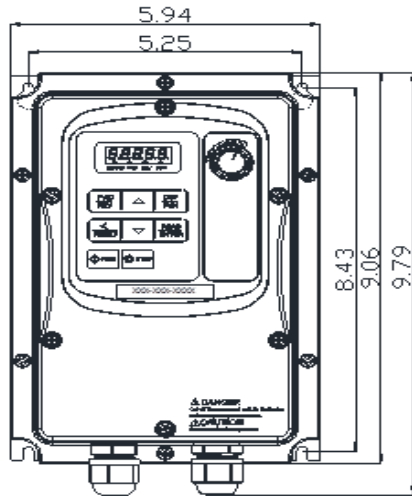


GENERAL DATASHEET VARIABLE SPEED DRIVE

| | | | | |
|--|--------------------------------------|---|-------------------------------------|------------------------------|
| SERIES E510 | | MODEL# E510-2P5-HN4R-U | | |
| ISSUED 4/18/2017 | | ENCLOSURE/ FRAME NEMA 4/4X (IP66) / Frame 1 - INDOOR USE ONLY | | |
| SINGLE PHASE INPUT AMPS HD (CT) 8.5 | | AC INPUT VOLTAGE 200-240 | AC INPUT FREQUENCY 50/60 | AC INPUT PHASE 1/3 |
| THREE PHASE INPUT AMPS HD (CT) 4.5 | | | | |
| OUTPUT HP HD (CT) 0.5 | OUTPUT AMPS HD (CT) 3.1 | AC OUTPUT VOLTAGE 0-240 | AC OUTPUT FREQUENCY 0-599 | AC OUTPUT PHASE 3 |



| | | | | |
|--------------|-------------|-------------|-----------------|-------------|
| Approved By: | Brian Smith | Drawing No: | F510-230-2P5-F1 | Revision: 0 |
|--------------|-------------|-------------|-----------------|-------------|