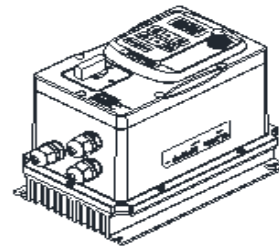
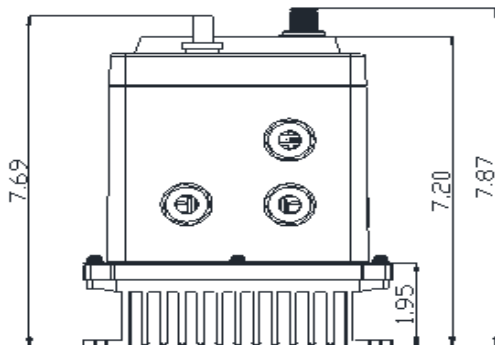
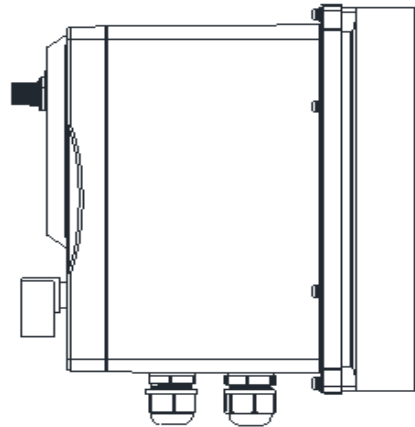
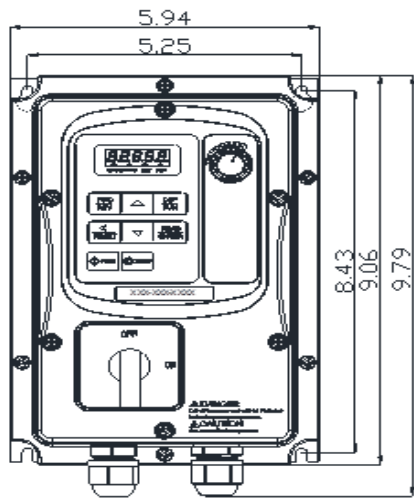


GENERAL DATASHEET VARIABLE SPEED DRIVE

SERIES E510		MODEL# E510-2P5-H1FN4S-U		
ISSUED 4/18/2017		ENCLOSURE/ FRAME NEMA 4/4X (IP66) / Frame 1 - INDOOR USE ONLY		
SINGLE PHASE INPUT AMPS HD (CT) 8.5		AC INPUT VOLTAGE 200-240	AC INPUT FREQUENCY 50/60	AC INPUT PHASE 1
OUTPUT HP HD (CT) 0.5	OUTPUT AMPS HD (CT) 3.1	AC OUTPUT VOLTAGE 0-240	AC OUTPUT FREQUENCY 0-599	AC OUTPUT PHASE 3



Approved By:	Brian Smith	Drawing No:	E510-230-2P5-F1	Revision: 0
--------------	-------------	-------------	-----------------	-------------