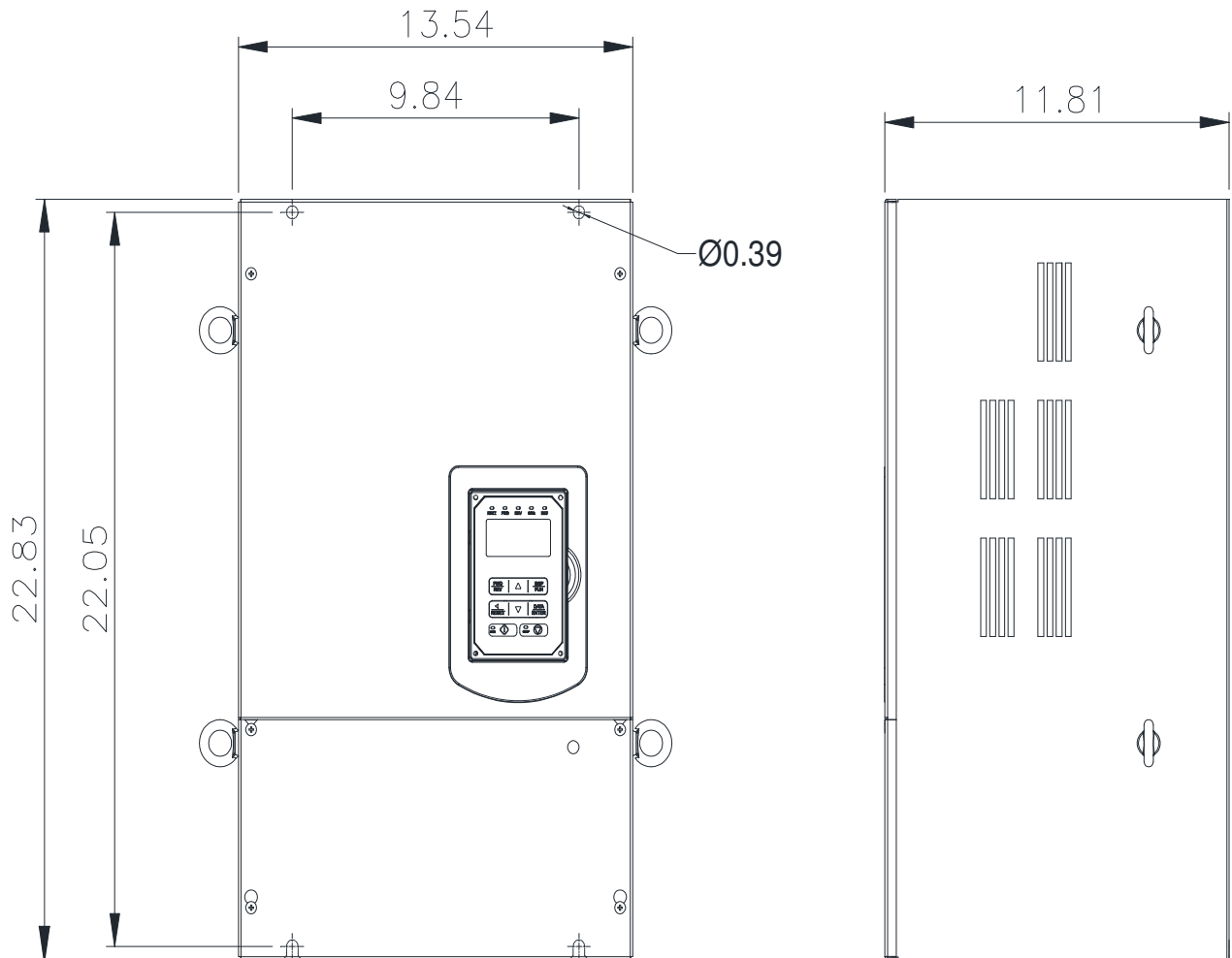


GENERAL DATASHEET VARIABLE SPEED DRIVE

Series A510				MODEL# A510-6150-C3-U	
ISSUED 9/7/2016				ENCLOSURE/ FRAME Open Chassis (IP00) / F6	
INPUT AMPS		AC INPUT VOLTAGE 600-690	AC INPUT FREQUENCY 50/60	AC INPUT PHASE 3	
HD (CT) 144	ND (VT) 162				
OUTPUT HP		AC OUTPUT VOLTAGE 0-690	AC OUTPUT FREQUENCY 0-599	AC OUTPUT PHASE 3	
HD (CT) 150	ND (VT) 175			HD (CT) 131	ND (VT) 147



Approved By:	Brian Smith	Drawing No:	A510-690-150-F6	Revision: 0
--------------	-------------	-------------	-----------------	-------------