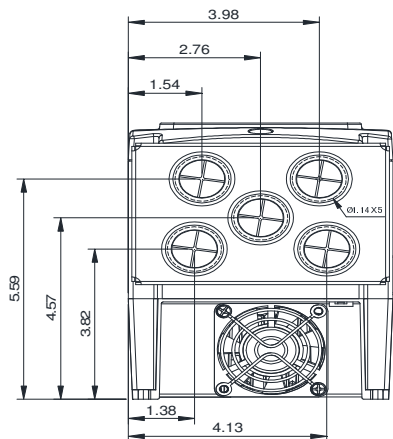
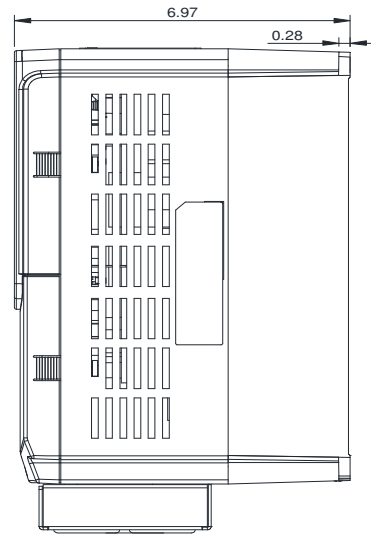
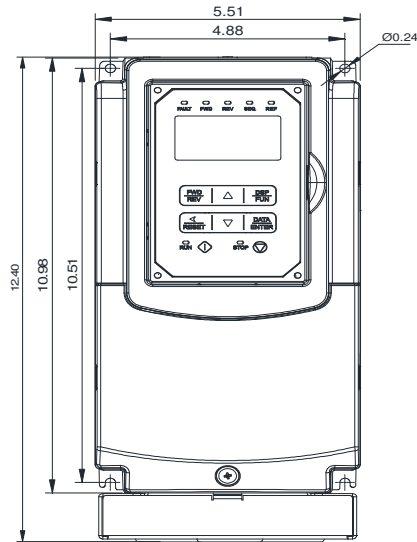


GENERAL DATASHEET VARIABLE SPEED DRIVE

Series A510				MODEL# A510-5002-C3-U	
ISSUED 9/6/2016				ENCLOSURE/ FRAME NEMA 1 (IP20) / F2	
INPUT AMPS		AC INPUT VOLTAGE	AC INPUT FREQUENCY	AC INPUT PHASE	
HD (CT)	ND (VT)				
3.3	4.6	500-600	50/60	3	
OUTPUT HP		AC OUTPUT VOLTAGE	AC OUTPUT FREQUENCY	AC OUTPUT PHASE	
OUTPUT AMPS					
HD (CT)	ND (VT)	HD (CT)	ND (VT)		
2	3	3	4.2	500-600	0-599



Approved By:	Brian Smith	Drawing No:	A510-575-002-F2	Revision: 0
--------------	-------------	-------------	-----------------	-------------