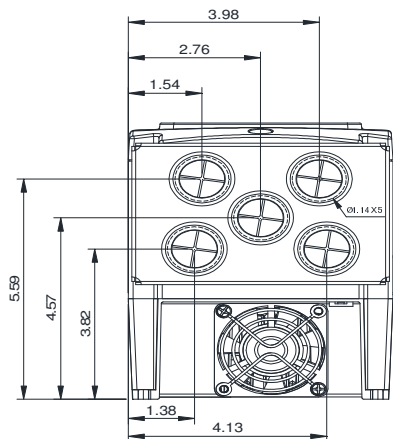
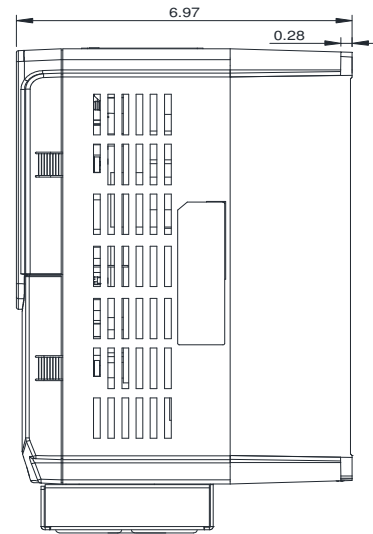
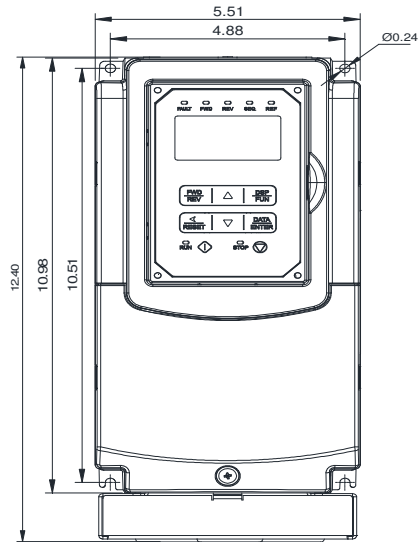


GENERAL DATASHEET VARIABLE SPEED DRIVE

Series A510				MODEL# A510-4005-C3-U		
ISSUED 8/31/2016				ENCLOSURE/ FRAME NEMA 1 (IP20) / F2		
INPUT AMPS				AC INPUT VOLTAGE	AC INPUT FREQUENCY	AC INPUT PHASE
HD (CT) 9.6		ND (VT) 11.6				
OUTPUT HP				AC OUTPUT VOLTAGE	AC OUTPUT FREQUENCY	AC OUTPUT PHASE
HD (CT) 5		ND (VT) 5/7.5				
OUTPUT AMPS				AC OUTPUT VOLTAGE	AC OUTPUT FREQUENCY	AC OUTPUT PHASE
HD (CT) 9.2		ND (VT) 12.1				
				380-480	50/60	3
				0-480	0-599	3



Approved By:	Brian Smith	Drawing No:	A510-460-005-F2	Revision: 0
--------------	-------------	-------------	-----------------	-------------