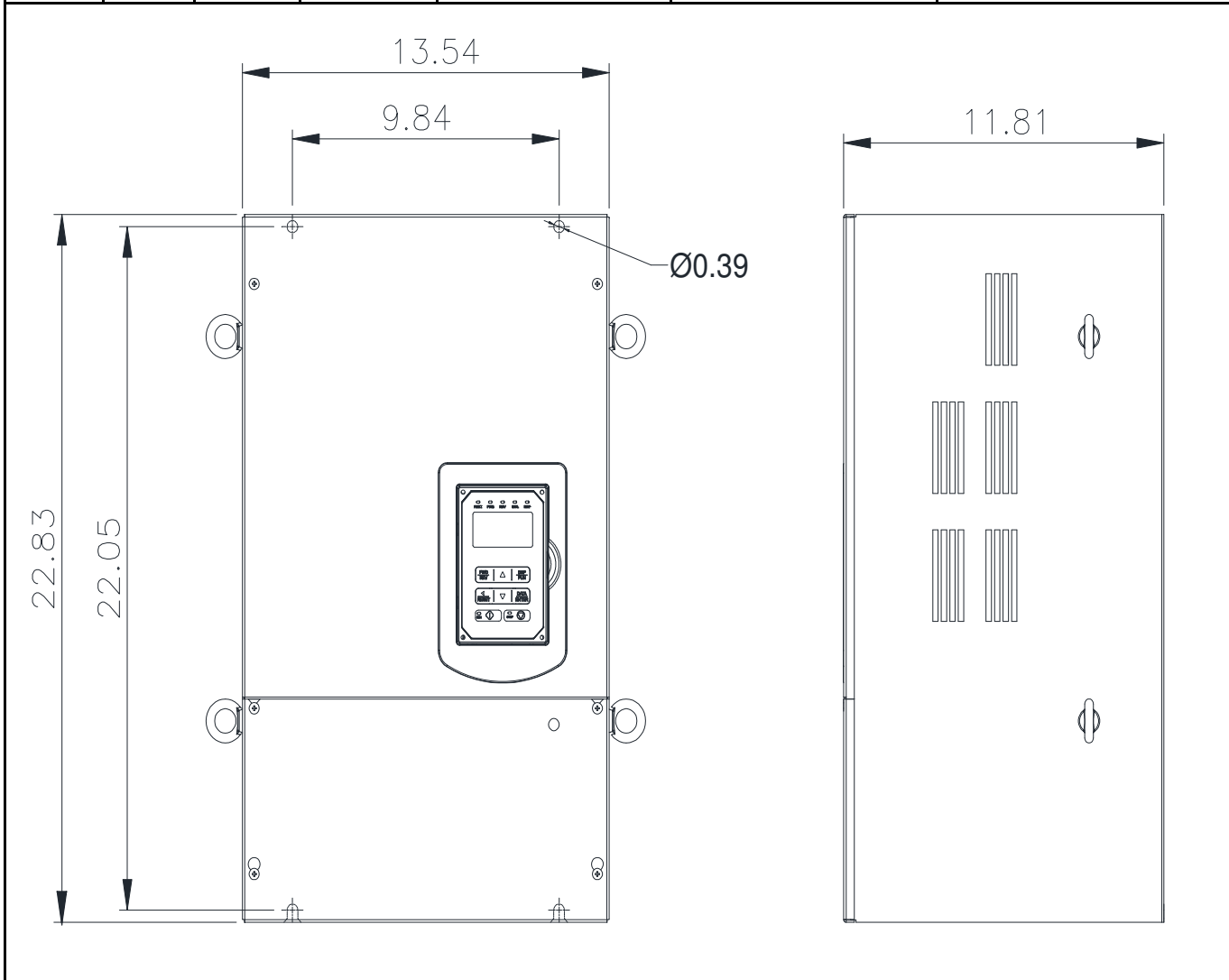


GENERAL DATASHEET VARIABLE SPEED DRIVE

Series A510				MODEL# A510-2060-C3-U		
ISSUED 8/30/2016				ENCLOSURE/ FRAME OpenChassis (IP00)/ F6		
INPUT AMPS				AC INPUT VOLTAGE	AC INPUT FREQUENCY	AC INPUT PHASE
HD (CT) 186		ND (VT) 232				
				200-240	50/60	3
OUTPUT HP				AC OUTPUT VOLTAGE	AC OUTPUT FREQUENCY	AC OUTPUT PHASE
OUTPUT AMPS						
HD (CT) 60	ND (VT) 75	HD (CT) 180	ND (VT) 200	0-240	0-599	3



Approved By:	Brian Smith	Drawing No:	A510-230-060-F6	Revision: 0
--------------	-------------	-------------	-----------------	-------------