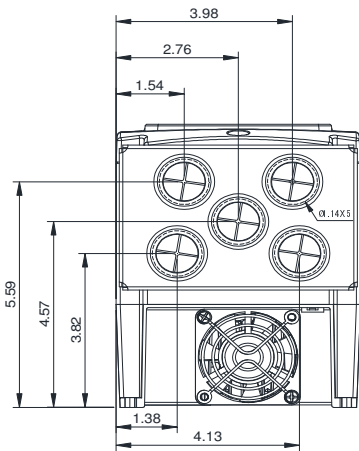
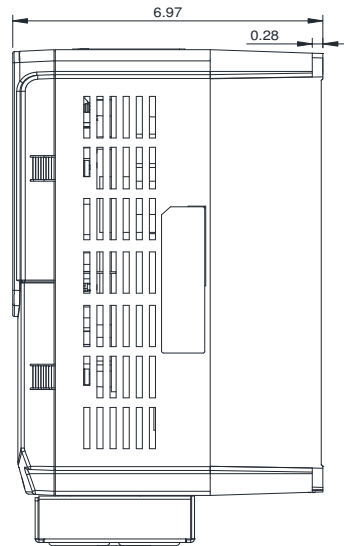
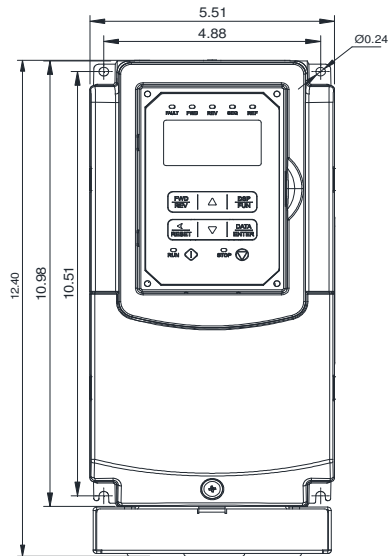


## GENERAL DATASHEET VARIABLE SPEED DRIVE

Series <b>A510</b>				MODEL# <b>A510-2005-C3-U</b>		
ISSUED <b>8/30/2016</b>				ENCLOSURE/ FRAME <b>NEMA 1 (IP20) / F2</b>		
INPUT AMPS				AC INPUT VOLTAGE	AC INPUT FREQUENCY	AC INPUT PHASE
HD (CT) <b>18.7</b>		ND (VT) <b>22.3</b>				
OUTPUT HP				AC OUTPUT VOLTAGE	AC OUTPUT FREQUENCY	AC OUTPUT PHASE
HD (CT) <b>5</b>		ND (VT) <b>5/7.5</b>				
OUTPUT AMPS				AC OUTPUT VOLTAGE	AC OUTPUT FREQUENCY	AC OUTPUT PHASE
HD (CT) <b>17.5</b>		ND (VT) <b>22</b>				
				<b>200-240</b>	<b>50/60</b>	<b>3</b>
				<b>0-240</b>	<b>0-599</b>	<b>3</b>



Approved By:	Brian Smith	Drawing No:	A510-230-005-F2	Revision: 0
--------------	-------------	-------------	-----------------	-------------