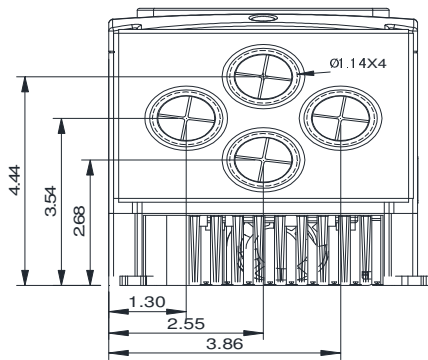
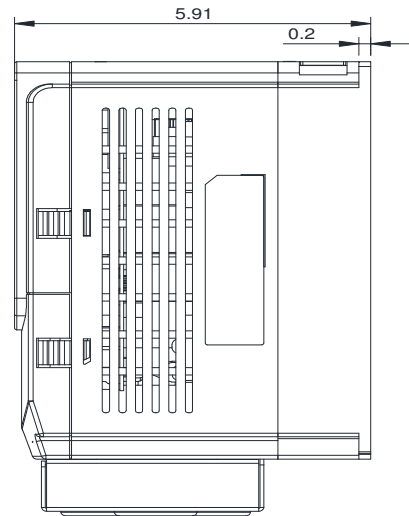
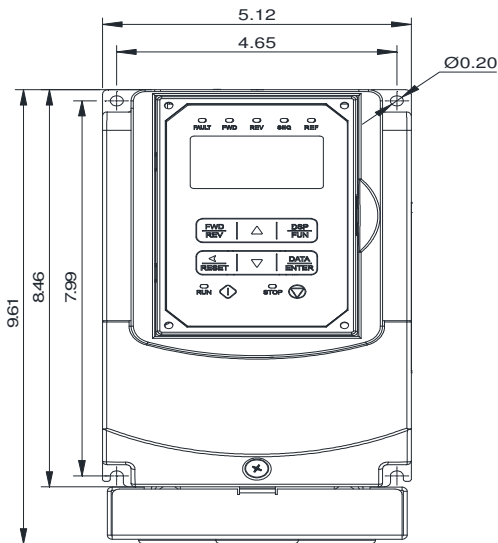


GENERAL DATASHEET VARIABLE SPEED DRIVE

Series A510				MODEL# A510-2001-C-U		
ISSUED 8/30/2016				ENCLOSURE/ FRAME NEMA 1 (IP20) / F1		
SINGLE PHASE INPUT AMPS		AC INPUT VOLTAGE 200-240	AC INPUT FREQUENCY 50/60	AC INPUT PHASE 1/3		
HD (CT) 9.4	ND (VT) 11.3					
THREE PHASE INPUT AMPS						
HD (CT) 5.4	ND (VT) 6.5					
OUTPUT HP		AC OUTPUT VOLTAGE 0-240	AC OUTPUT FREQUENCY 0-599	AC OUTPUT PHASE 3		
HD (CT) 1	ND (VT) 1					
OUTPUT AMPS						
HD (CT) 5	ND (VT) 6					



Approved By:	Brian Smith	Drawing No:	A510-230-001-F1	Revision: 0
--------------	-------------	-------------	-----------------	-------------