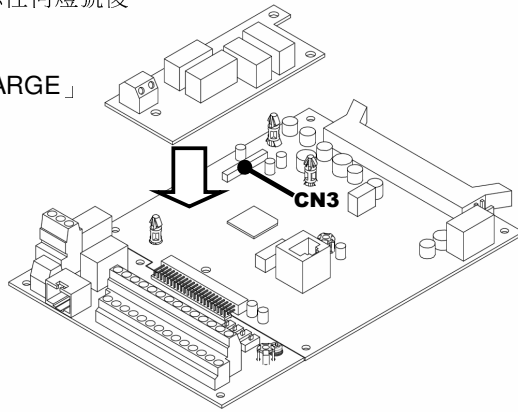


JN5-PS-DC24V 電源擴充卡 安裝說明書

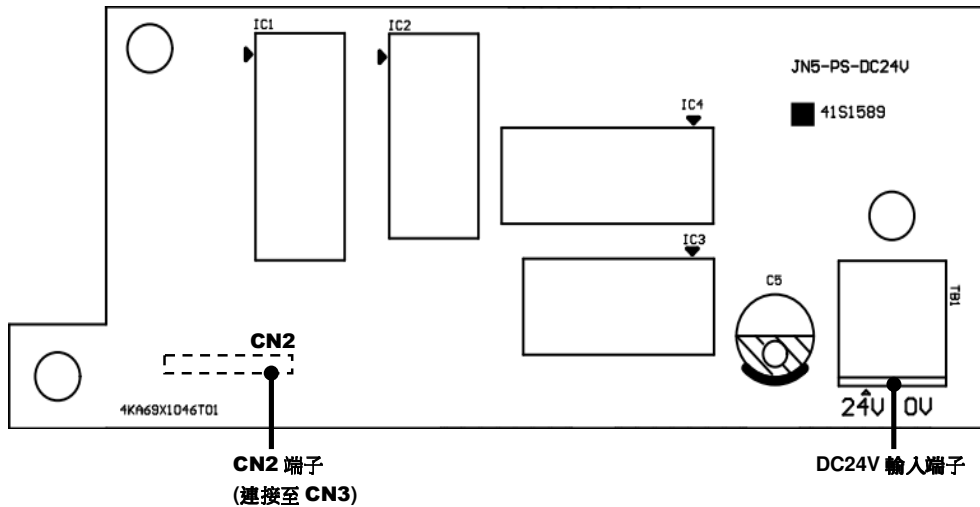
安裝說明

自行安裝配件卡時，須先移除數位操作器及前蓋/端子外蓋。在安裝過程中，請參考完整操作手冊第三章產品之拆裝與本說明書，以避免拆裝時損壞變頻器機身。並確實依照下列步驟安裝選配卡。

- 關閉主回路電源，待數位操作器無顯示任何燈號後，拆卸數位操作器與其連接線。
- 打開變頻器前方上/下蓋，並確認「CHARGE」指示燈已熄滅。
- 將變頻器控制基板上的 **CN3**(36pin)與電源擴充卡(JN5-PS-DC24V)的 **CN2** 進行連接，在控制基板的塑膠支撐柱穿入電源擴充卡上的支撐孔，向下插入直到發出"喀嚓"聲為止。



JN5-PS-DC24V 電源擴充卡



端子說明

DC24V 輸入端子(TB1)	說明
24V	24VDC±5% , 0.5A 。
0V	DC24V 參考點。

功能說明

功能	說明
	1.可在主電源異常時持續供電，確保主電源斷電時的持續通信
	2.讓變頻器在不送主電源的狀況下，進行參數的設定及拷貝

注意事項

安裝前請務必研讀操作手冊。

JN5-PS-DC24V Power expansion Card Installation Manual

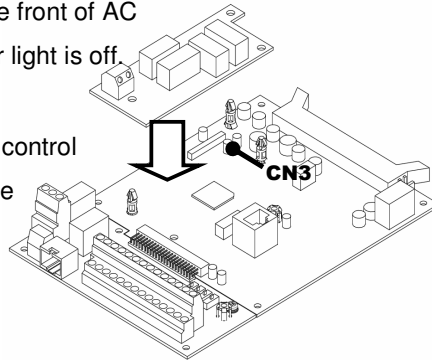
Installation

Users should remove the digital operator and front cover/ terminal cover before installing Power expansion card. Please refer to chapter 3 in the process of installing to avoid damaging AC motor drive and the followings are installation steps.

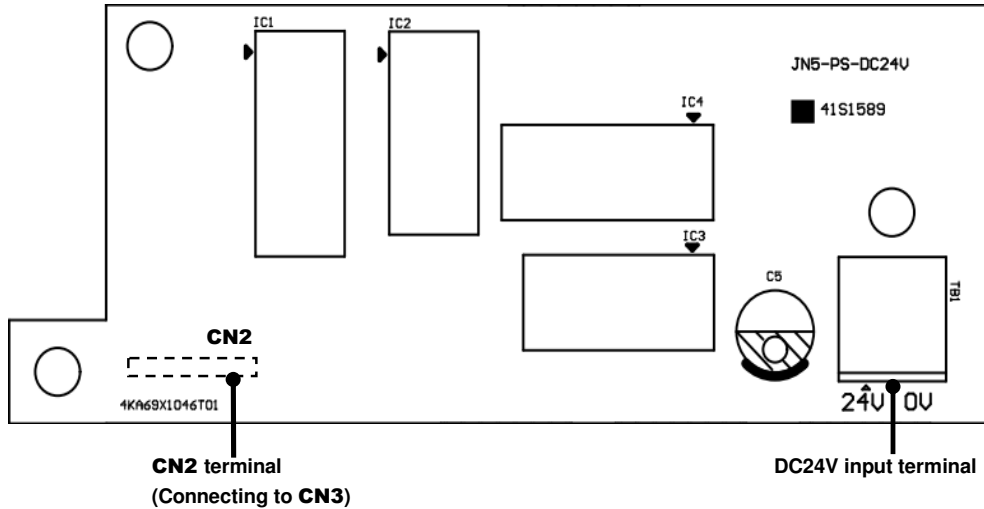
① Switch off the power of main circuit terminal. After all indicator lights are off, remove the digital keypad and its connecting cable.

② Open the front cover and terminal cover in the front of AC motor drive. Check if the “CHARGE” indicator light is off.

Connect the **CN2** of Power expansion Card (JN5-PS-DC24V) to the **CN3** (36 pin) on the control board whose spacer support is inserted to the mounting hole. Press it in until it clicks.



JN5-PS-DC24V Power expansion Card



Terminal Description

Relay Output Terminals(TB1)	Description
24V	24VDC±5%, 0.5A
0V	24VDC reference terminal

Function Description

Function	<ol style="list-style-type: none"> 1. Continuous power supply when the main power supply is abnormal, ensuring continuous communication when the main power supply is cut off. 2. The inverter can set and copy the parameters when the main power supply is cut off.
----------	---

Notes: Please refer to the newest version of Instruction Manual to get more information.