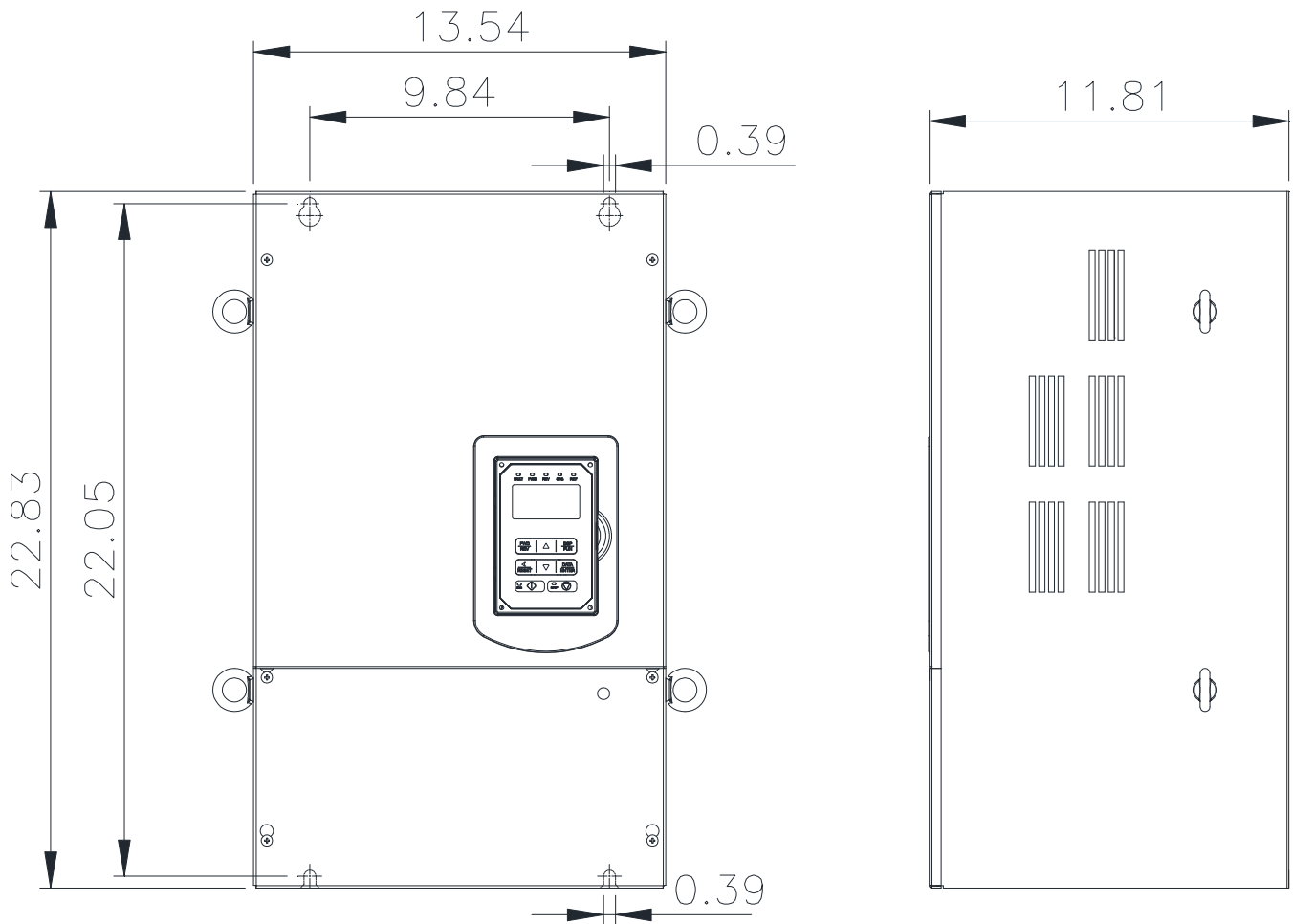


GENERAL DATASHEET VARIABLE SPEED DRIVE

| | | | |
|-------------------------------------|--------------------------------------|---|-------------------------------------|
| SERIES F510 | | MODEL# F510-4100-C3-U | |
| ISSUED 9/1/2016 | | ENCLOSURE/ FRAME Open Chassis (IP00) / F6 | |
| INPUT AMPS ND (VT) 159 | | AC INPUT VOLTAGE 380-480 | AC INPUT FREQUENCY 50/60 |
| AC INPUT PHASE 3 | | | |
| OUTPUT HP ND (VT) 100 | OUTPUT AMPS ND (VT) 145 | AC OUTPUT VOLTAGE 0-480 | AC OUTPUT FREQUENCY 0-400 |
| AC OUTPUT PHASE 3 | | | |



| | | | | |
|--------------|-------------|-------------|-----------------|-------------|
| Approved By: | Brian Smith | Drawing No: | F510-460-100-F6 | Revision: 0 |
|--------------|-------------|-------------|-----------------|-------------|