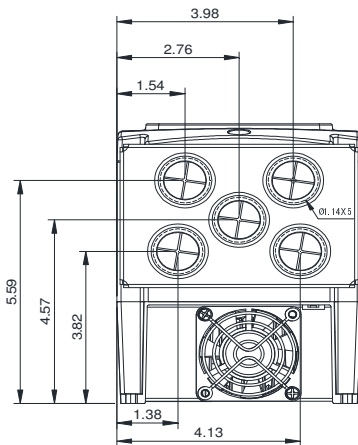
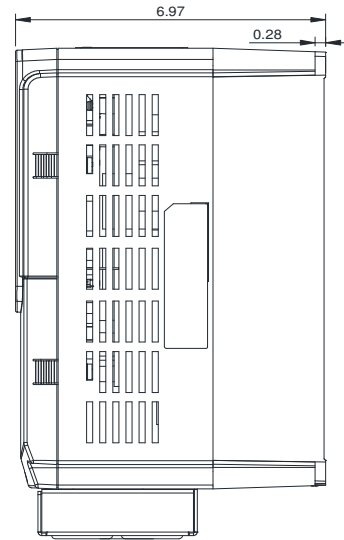
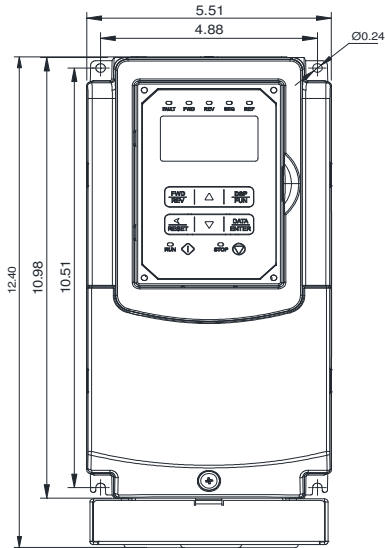


GENERAL DATASHEET VARIABLE SPEED DRIVE

| | | | | |
|------------------|-------------|---------------------------|---------------------|-----------------|
| SERIES | | MODEL# | | |
| F510 | | F510-4010-C3-U | | |
| ISSUED | | ENCLOSURE/ FRAME | | |
| 8/26/2016 | | NEMA 1 (IP20) / F2 | | |
| INPUT AMPS | | AC INPUT VOLTAGE | AC INPUT FREQUENCY | AC INPUT PHASE |
| ND (VT) | | | | |
| 18.2 | | 380-480 | 50/60 | 3 |
| OUTPUT HP | OUTPUT AMPS | AC OUTPUT VOLTAGE | AC OUTPUT FREQUENCY | AC OUTPUT PHASE |
| ND (VT) | ND (VT) | | | |
| 10 | 17.5 | 0-480 | 0-400 | 3 |



| | | | | |
|--------------|-------------|-------------|-----------------|-------------|
| Approved By: | Brian Smith | Drawing No: | F510-460-010-F2 | Revision: 0 |
|--------------|-------------|-------------|-----------------|-------------|