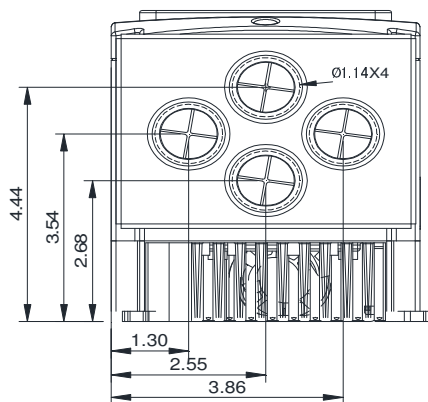
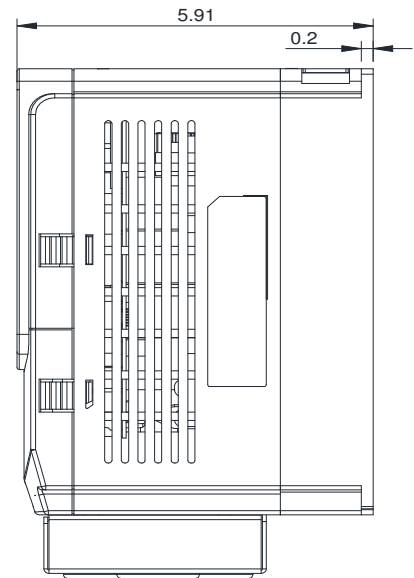
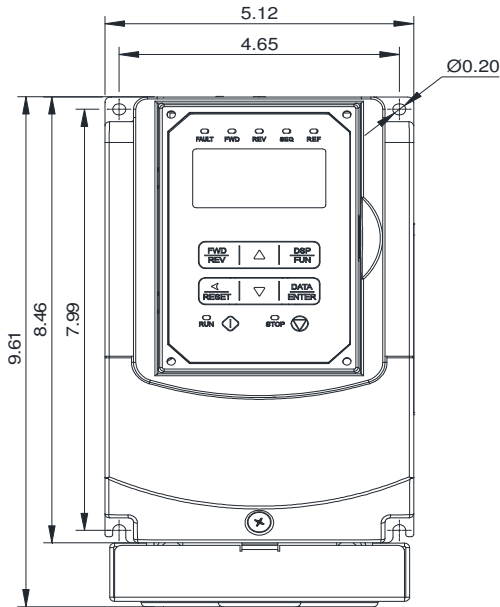


GENERAL DATASHEET VARIABLE SPEED DRIVE

Series A510				MODEL# A510-4003-C3-UE		
ISSUED 12/30/2019				ENCLOSURE/ FRAME NEMA 1 (IP20) / F1		
INPUT AMPS				AC INPUT VOLTAGE	AC INPUT FREQUENCY	AC INPUT PHASE
HD (CT)		ND (VT)				
6		7.5		380-480	50/60	3
OUTPUT HP				AC OUTPUT VOLTAGE	AC OUTPUT FREQUENCY	AC OUTPUT PHASE
HD (CT)		ND (VT)				
3		3		0-480	0-599	3
OUTPUT AMPS		OUTPUT AMPS				
HD (CT)		ND (VT)				
3		3				



Approved By:	Brian Smith	Drawing No:	A510-460-003-F1	Revision: 1
--------------	-------------	-------------	-----------------	-------------