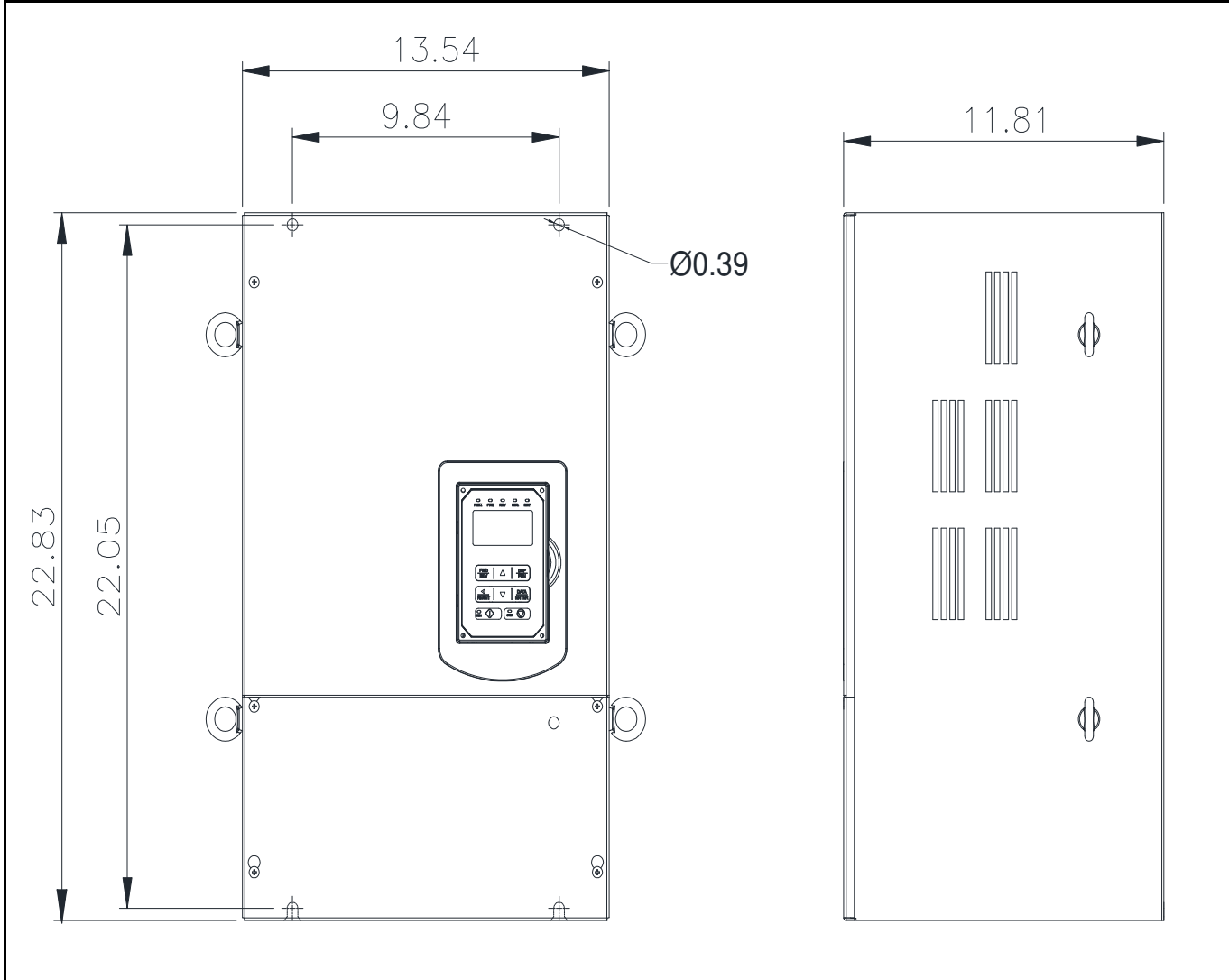


GENERAL DATASHEET VARIABLE SPEED DRIVE

Series A510				MODEL# A510-2060-C3-UE		
ISSUED 12/30/2019				ENCLOSURE/ FRAME OpenChassis (IP00)/ F6		
INPUT AMPS				AC INPUT VOLTAGE	AC INPUT FREQUENCY	AC INPUT PHASE
HD (CT) 186		ND (VT) 232				
OUTPUT HP				AC OUTPUT VOLTAGE	AC OUTPUT FREQUENCY	AC OUTPUT PHASE
OUTPUT AMPS						
HD (CT) 60	ND (VT) 75	HD (CT) 180	ND (VT) 200	200-240	50/60	3
				0-240	0-599	3



Approved By:	Brian Smith	Drawing No:	A510-230-060-F6	Revision: 1
--------------	-------------	-------------	-----------------	-------------