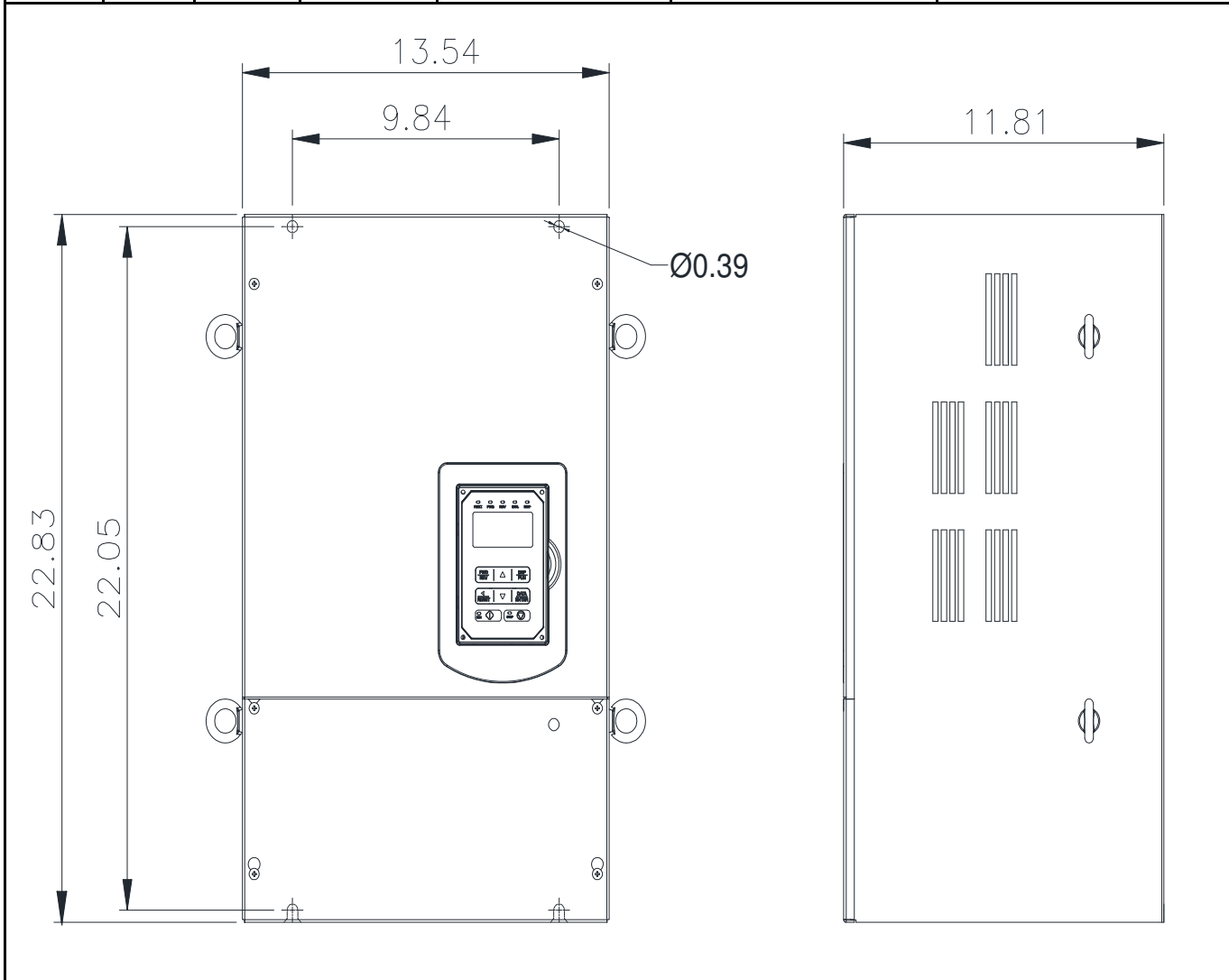


GENERAL DATASHEET VARIABLE SPEED DRIVE

Series A510				MODEL# A510-2050-C3-UE		
ISSUED 12/30/2019				ENCLOSURE/ FRAME OpenChassis (IP00)/ F6		
INPUT AMPS				AC INPUT VOLTAGE 200-240	AC INPUT FREQUENCY 50/60	AC INPUT PHASE 3
HD (CT) 159		ND (VT) 186				
OUTPUT HP				AC OUTPUT VOLTAGE 0-240	AC OUTPUT FREQUENCY 0-599	AC OUTPUT PHASE 3
HD (CT) 50		ND (VT) 60				
OUTPUT AMPS						
HD (CT) 145		ND (VT) 169				



Approved By:	Brian Smith	Drawing No:	A510-230-050-F6	Revision: 1
--------------	-------------	-------------	-----------------	-------------