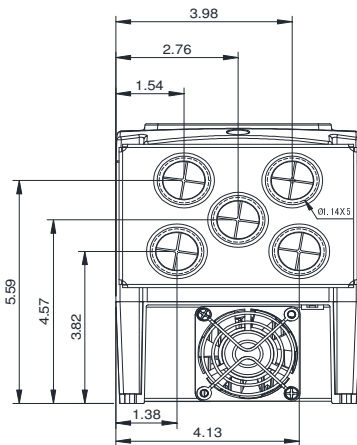
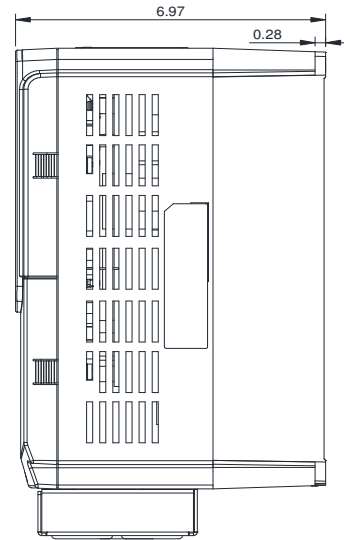
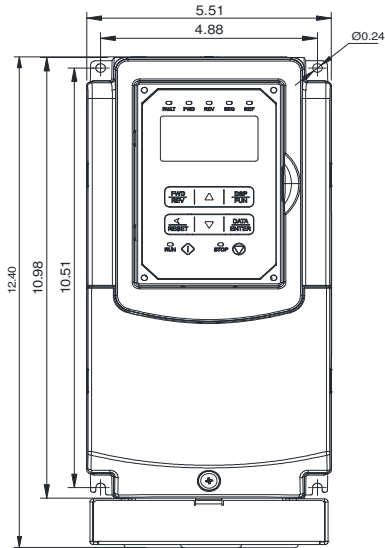


## GENERAL DATASHEET VARIABLE SPEED DRIVE

SERIES <b>F510</b>		MODEL# <b>F510-4010-C3-UE</b>		
ISSUED <b>12/31/2019</b>		ENCLOSURE/ FRAME <b>NEMA 1 (IP20) / F2</b>		
INPUT AMPS ND (VT) <b>18.2</b>		AC INPUT VOLTAGE <b>380-480</b>	AC INPUT FREQUENCY <b>50/60</b>	AC INPUT PHASE <b>3</b>
OUTPUT HP ND (VT) <b>10</b>	OUTPUT AMPS ND (VT) <b>17.5</b>	AC OUTPUT VOLTAGE <b>0-480</b>	AC OUTPUT FREQUENCY <b>0-400</b>	AC OUTPUT PHASE <b>3</b>



Approved By:	Brian Smith	Drawing No:	F510-460-010-F2	Revision: 1
--------------	-------------	-------------	-----------------	-------------